



## DECLARATION OF PERFORMANCE

NO 1425

24



Unique identifier of the product type: PA33PV80

Application: Sandwich panels with mineral wool core and sheet metal surface;  
exterior walls, partitions, suspended ceilings

Manufacturer name: Isolamin Sweden AB, Industrivägen 5, SE-95632 Överkalix

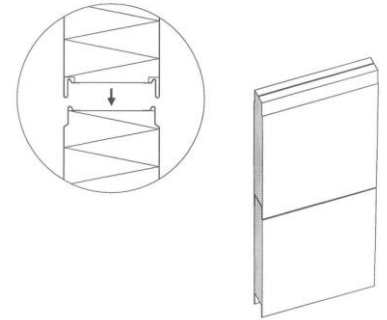
System: 3

Harmonised standard: EN 14509:2013

SP Swedish Testing and Research Institute No. 1002 report 0402-CPD-P605003B

DBI Danish Institute of Fire and Security Technology no 0845 report PC 10255

Akoustic group Luleå Technical University rapport 961016-01



Panel	33PV80
Thickness	80 mm
Weight	25,6 kg/m <sup>2</sup>
Standard widths	565, 1180 mm
U-value	0.58 W/m <sup>2</sup> K

Essential characteristics	Performance	Harmonised technical specification
Tensile strength	NPD	EN 14509:2013
Shear strength	NPD	EN 14509:2013
Sliding Module	NPD	EN 14509:2013
Compressive	NPD	EN 14509:2013
Bending resistance	NPD	EN 14509:2013
Reaction to fire	A2-s1-d0	EN 13501-1:2007
Fire resistance	EI60	EN 13501-2:2007
Fire protection capability	NPD	EN 14509:2013
Thermal resistance	1.56 m <sup>2</sup> K/W	EN 14509:2013
Permeability of water	NPD	EN 12865
Air permeability	NPD	EN 11214
Vapor permeability	NPD	EN 14509:2013
Airborne sound insulation	33 Rw	EN ISO 140-3:95
Sound absorption	NPD	EN ISO 11654
Dimensional stability	PASS	EN 14509:2013
Durability	PASS	EN 14509:2013

Tolerans	Core material	Surface material
Length: ± 5 mm Width: ± 1 mm Thickness: +0/-1 mm Perpendicularity: 1 mm/m Surface roughness: +0/-0.35 mm	Material: Mineral wool Density: 180 kg/m <sup>3</sup> ±10%	Material: Hot dip galvanized steel sheet Thickness: 0.7 mm

Signed on behalf of the manufacturer:

Överkalix 2024-03-04

*Michael Ottesen Fossen*

Michael Ottesen Fossen

Isolamin Sweden AB

R&amp;D Technician / Project coordinator